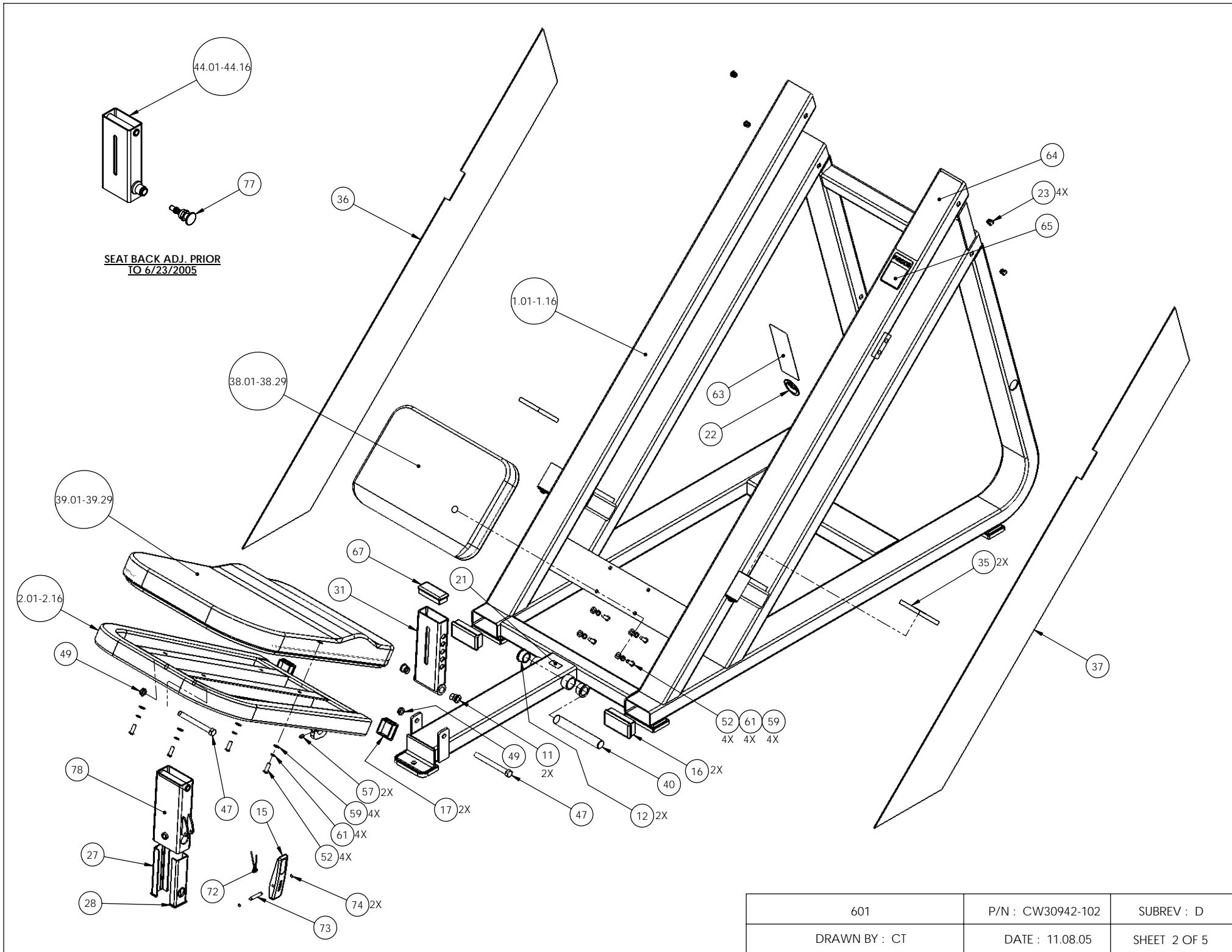


601	P/N : CW30942-102	SUBREV : D
DRAWN BY : CT	DATE : 11.08.05	SHEET 1 OF 5



44.01-44.16

77

SEAT BACK ADJ. PRIOR  
TO 6/23/2005

36

1.01-1.16

64

23 4X

65

38.01-38.29

63

22

39.01-39.29

67

21

35 2X

2.01-2.16

31

37

49

52 4X  
61 4X  
59 4X

78

49

11 2X

16 2X

47

15

57 2X

59 4X

17 2X

47

12 2X

27

52 4X

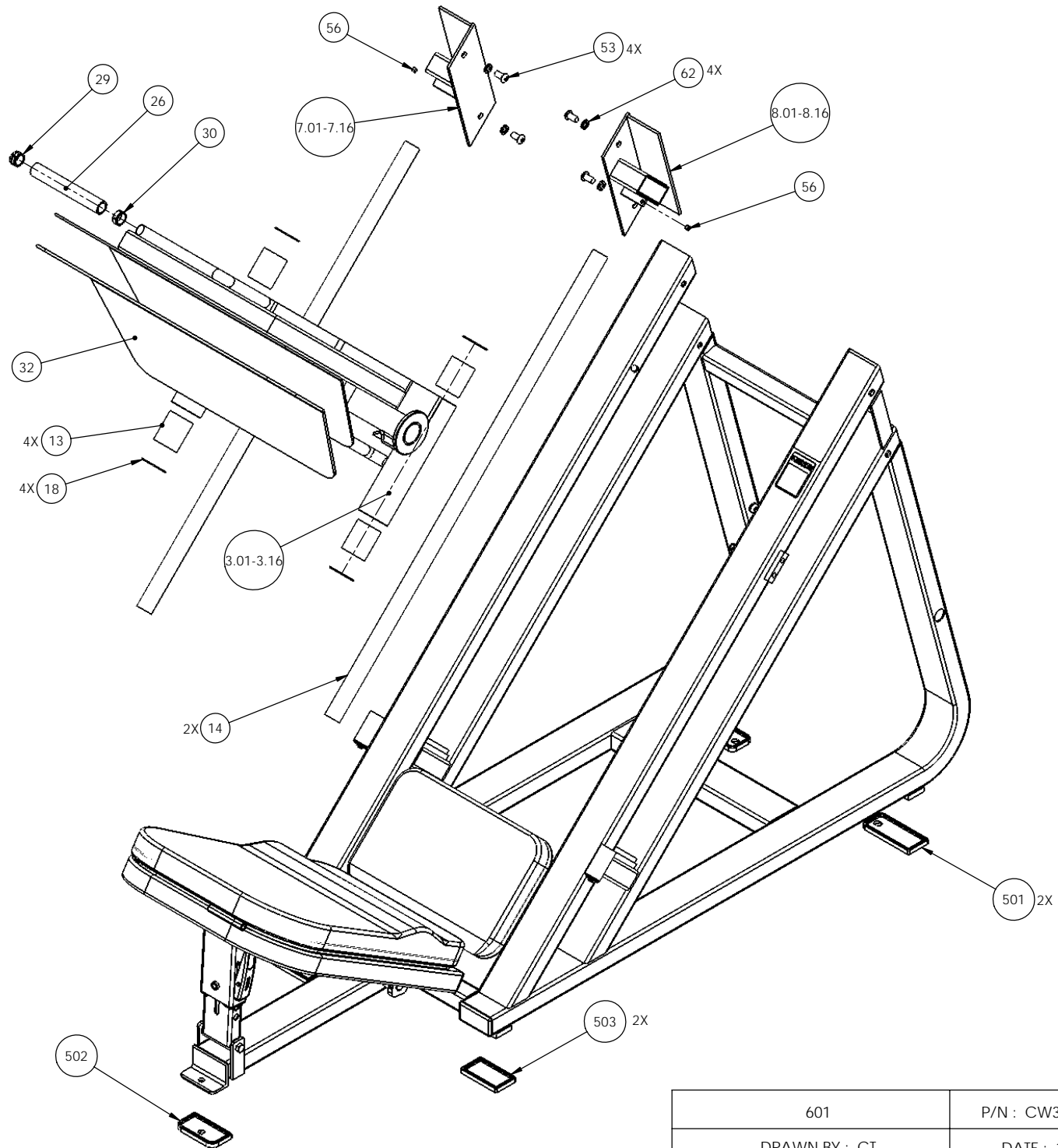
61 4X

28

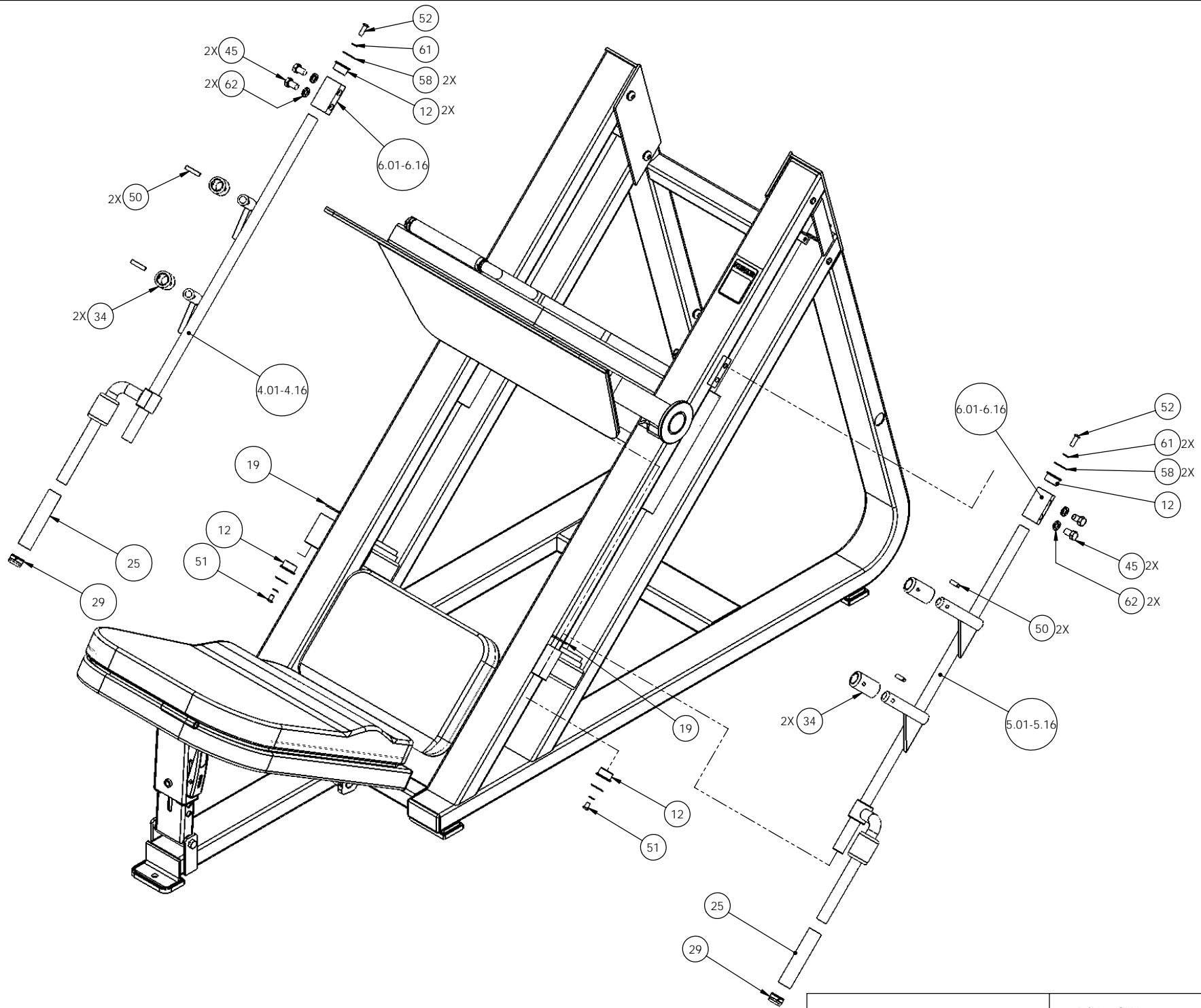
72

73

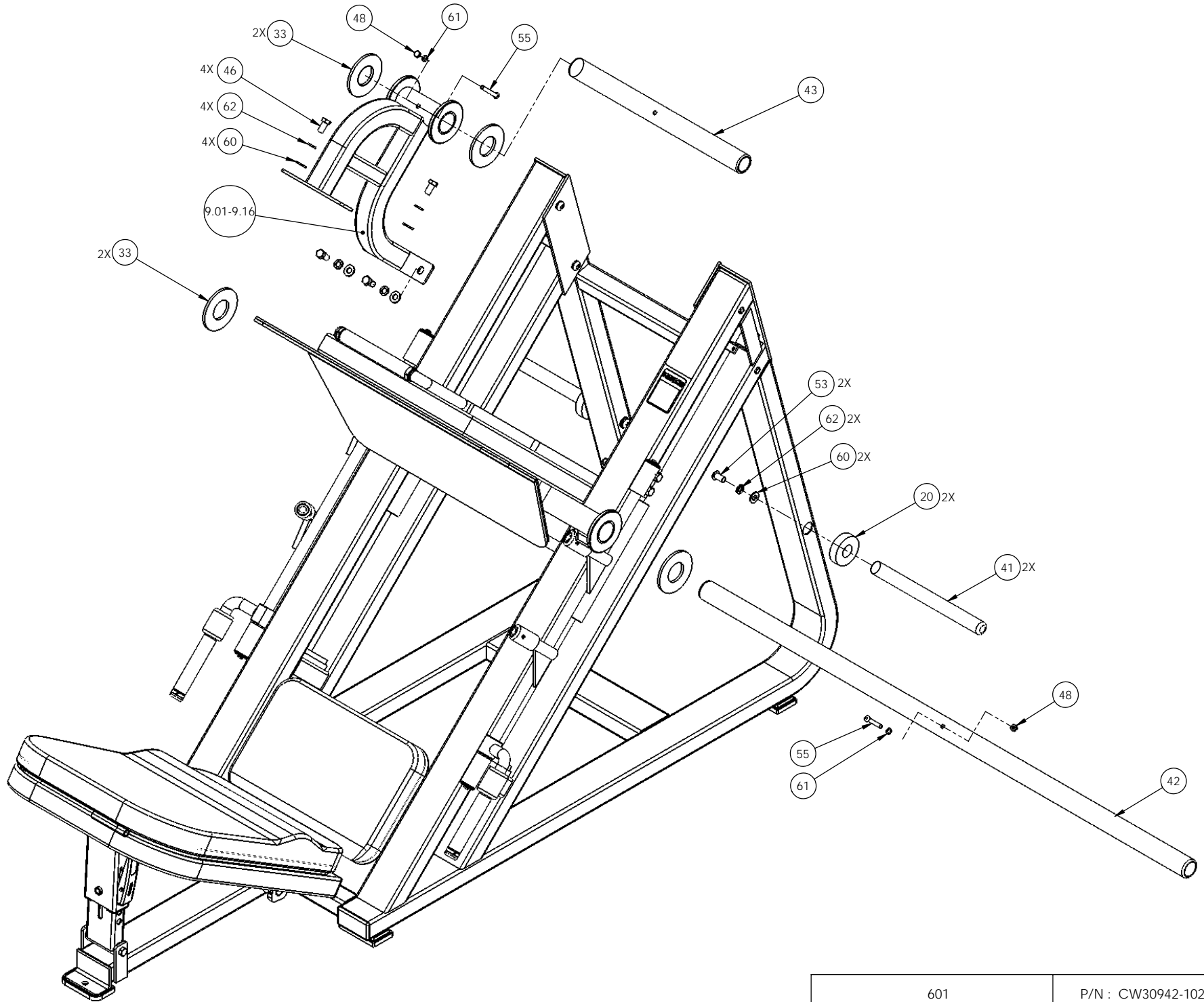
74 2X



601	P/N : CW30942-102	SUBREV : D
DRAWN BY : CT	DATE : 11.08.05	SHEET 3 OF 5



601	P/N : CW30942-102	SUBREV : D
DRAWN BY : CT	DATE : 11.08.05	SHEET 4 OF 5



601	P/N : CW30942-102	SUBREV : D
DRAWN BY : CT	DATE : 11.08.05	SHEET 5 OF 5

**601 Angled Leg Press with Flat Platform**

<b>Part Number</b>	<b>Description</b>	<b>Bubble Number</b>
CW601SA1-211	ASSY,FRAME,MAIN,601,SKY WHITE	1.01
CW601SA1-221	ASSY,FRAME,MAIN,601,BLACK	1.02
CW601SA1-231	ASSY,FRAME,MAIN,601,RED	1.03
CW601SA1-241	ASSY,FRAME,MAIN,601,PLAT SPRKLE	1.04
CW601SA1-251	ASSY,FRAME,MAIN,601,SILVER	1.05
CW601SA1-261	ASSY,FRAME,MAIN,601,BLUE	1.06
CW601SA1-271	ASSY,FRAME,MAIN,601,CHARCOAL	1.07
CW601SA1-281	ASSY,FRAME,MAIN,601,CATH GRAY	1.08
CW601SA1-291	ASSY,FRAME,MAIN,601,SILVER VIEN	1.09
CW601SA1-311	ASSY,FRAME,MAIN,601,STONE HG	1.11
CW601SA1-321	ASSY,FRAME,MAIN,601,TITANIUM HG	1.12
CW601SA1-331	ASSY,FRAME,MAIN,601,WHITE GLOSS	1.13
CW601SA1-341	ASSY,FRAME,MAIN,601,BLACK ONYX	1.14
CW601SA1-351	ASSY,FRAME,MAIN,601,LT. BRONZE	1.15
CW601SA1-361	ASSY,FRAME,MAIN,601,SAPPHIRE BL	1.16
CW601SA2-211	ASSY,BACK PAD,FRAME,601,SKY WHITE	2.01
CW601SA2-221	ASSY,BACK PAD,FRAME,601,BLACK	2.02
CW601SA2-231	ASSY,BACK PAD,FRAME,601,RED	2.03
CW601SA2-241	ASSY,BACK PAD,FRAME,601,PLATINUM SP	2.04
CW601SA2-251	ASSY,BACK PAD,FRAME,601,SILVER	2.05
CW601SA2-261	ASSY,BACK PAD,FRAME,601,BLUE	2.06
CW601SA2-271	ASSY,BACK PAD,FRAME,601,CHARCOAL	2.07
CW601SA2-281	ASSY,BACK PAD,FRAME,601,CATHEDRAL G	2.08
CW601SA2-291	ASSY,BACK PAD,FRAME,601,SILVER VEIN	2.09
CW601SA2-311	ASSY,BACK PAD,FRAME,601,STONE HG	2.11
CW601SA2-321	ASSY,BACK PAD,FRAME,601,TITANIUM HG	2.12
CW601SA2-331	ASSY,BACK PAD,FRAME,601,WHITE GLOSS	2.13
CW601SA2-341	ASSY,BACK PAD,FRAME,601,BLACK ONYX	2.14
CW601SA2-351	ASSY,BACK PAD,FRAME,601,LIGHT BRONZ	2.15
CW601SA2-361	ASSY,BACK PAD,FRAME,601,SAPPHIRE BL	2.16
CW601SA3-211	ASSY, CARRIAGE, 601,SKY WHITE	3.01
CW601SA3-221	ASSY, CARRIAGE, 601,BLACK	3.02
CW601SA3-231	ASSY, CARRIAGE, 601,RED	3.03
CW601SA3-241	ASSY, CARRIAGE, 601,PLAT SPKLE	3.04
CW601SA3-251	ASSY, CARRIAGE, 601,SILVER	3.05
CW601SA3-261	ASSY, CARRIAGE, 601,BLUE	3.06
CW601SA3-271	ASSY, CARRIAGE, 601,CHARCOAL	3.07
CW601SA3-281	ASSY, CARRIAGE, 601,CATH GRY	3.08
CW601SA3-291	ASSY, CARRIAGE, 601,SILVER VIEN	3.09
CW601SA3-311	ASSY, CARRIAGE, 601,STONE HG	3.11
CW601SA3-321	ASSY, CARRIAGE, 601,TITANIUM HG	3.12
CW601SA3-331	ASSY, CARRIAGE, 601,WHITE GLOSS	3.13
CW601SA3-341	ASSY, CARRIAGE, 601,BLACK ONYX	3.14
CW601SA3-351	ASSY, CARRIAGE, 601,LIGHT BRONZE	3.15
CW601SA3-361	ASSY, CARRIAGE, 601,SAPPHIRE BLUE	3.16
CW601SA4-211	ASSY,CARRIAGE STOP,LEFT,601,SKY WHI	4.01
CW601SA4-221	ASSY,CARRIAGE STOP,LEFT,601,BLACK	4.02
CW601SA4-231	ASSY,CARRIAGE STOP,LEFT,601,RED	4.03
CW601SA4-241	ASSY,CARRIAGE STOP,LEFT,601,PLATINU	4.04

CW601SA4-251	ASSY,CARRIAGE STOP,LEFT,601,SILVER	4.05
CW601SA4-261	ASSY,CARRIAGE STOP,LEFT,601,BLUE	4.06
CW601SA4-271	ASSY,CARRIAGE STOP,LEFT,601,CHARCOA	4.07
CW601SA4-281	ASSY,CARRIAGE STOP,LEFT,601,CATHEDR	4.08
CW601SA4-291	ASSY,CARRIAGE STOP,LEFT,601,SILVER	4.09
CW601SA4-311	ASSY,CARRIAGE STOP,LEFT,601,STONE H	4.11
CW601SA4-321	ASSY,CARRIAGE STOP,LEFT,601,TITANIU	4.12
CW601SA4-331	ASSY,CARRIAGE STOP,LEFT,601,WHITE G	4.13
CW601SA4-341	ASSY,CARRIAGE STOP,LEFT,601,BLACK O	4.14
CW601SA4-351	ASSY,CARRIAGE STOP,LEFT,601,LIGHT B	4.15
CW601SA4-361	ASSY,CARRIAGE STOP,LEFT,601,SAPPHIR	4.16
CW601SA5-211	ASSY,CARRIAGE STOP,RIGHT,601,SKY WH	5.01
CW601SA5-221	ASSY,CARRIAGE STOP,RIGHT,601,BLACK	5.02
CW601SA5-231	ASSY,CARRIAGE STOP,RIGHT,601,RED	5.03
CW601SA5-241	ASSY,CARRIAGE STOP,RIGHT,601,PLATIN	5.04
CW601SA5-251	ASSY,CARRIAGE STOP,RIGHT,601,SILVER	5.05
CW601SA5-261	ASSY,CARRIAGE STOP,RIGHT,601,BLUE	5.06
CW601SA5-271	ASSY,CARRIAGE STOP,RIGHT,601,CHARCO	5.07
CW601SA5-281	ASSY,CARRIAGE STOP,RIGHT,601,CATHED	5.08
CW601SA5-291	ASSY,CARRIAGE STOP,RIGHT,601,SILVER	5.09
CW601SA5-311	ASSY,CARRIAGE STOP,RIGHT,601,STONE	5.11
CW601SA5-321	ASSY,CARRIAGE STOP,RIGHT,601,TITANI	5.12
CW601SA5-331	ASSY,CARRIAGE STOP,RIGHT,601,WHITE	5.13
CW601SA5-341	ASSY,CARRIAGE STOP,RIGHT,601,BLACK	5.14
CW601SA5-351	ASSY,CARRIAGE STOP,RIGHT,601,LIGHT	5.15
CW601SA5-361	ASSY,CARRIAGE STOP,RIGHT,601,SAPPHI	5.16
CW601SA6-211	ASSY,ROD SUPPORT,601,SKY WHITE	6.01
CW601SA6-221	ASSY,ROD SUPPORT,601,BLACK	6.02
CW601SA6-231	ASSY,ROD SUPPORT,601,RED	6.03
CW601SA6-241	ASSY,ROD SUPPORT,601,PLAT SPKLE	6.04
CW601SA6-251	ASSY,ROD SUPPORT,601,SILVER	6.05
CW601SA6-261	ASSY,ROD SUPPORT,601,BLUE	6.06
CW601SA6-271	ASSY,ROD SUPPORT,601,CHARCOAL	6.07
CW601SA6-281	ASSY,ROD SUPPORT,601,CATH GREY	6.08
CW601SA6-291	ASSY,ROD SUPPORT,601,SILVER VIEN	6.09
CW601SA6-311	ASSY,ROD SUPPORT,601,STONE HG	6.11
CW601SA6-321	ASSY,ROD SUPPORT,601,TITANIUM HG	6.12
CW601SA6-331	ASSY,ROD SUPPORT,601,WHITE GLOSS	6.13
CW601SA6-341	ASSY,ROD SUPPORT,601,BLACK ONYX	6.14
CW601SA6-351	ASSY,ROD SUPPORT,601,LIGHT BRONZE	6.15
CW601SA6-361	ASSY,ROD SUPPORT,601,SAPPHIRE BLUE	6.16
CW601SA7-211	ASSY,SHAFT SUPPORT,LEFT,601,SKY WHI	7.01
CW601SA7-221	ASSY,SHAFT SUPPORT,LEFT,601,BLACK	7.02
CW601SA7-231	ASSY,SHAFT SUPPORT,LEFT,601,RED	7.03
CW601SA7-241	ASSY,SHAFT SUPPORT,LEFT,601,PLATINU	7.04
CW601SA7-251	ASSY,SHAFT SUPPORT,LEFT,601,SILVER	7.05
CW601SA7-261	ASSY,SHAFT SUPPORT,LEFT,601,BLUE	7.06
CW601SA7-271	ASSY,SHAFT SUPPORT,LEFT,601,CHARCOA	7.07
CW601SA7-281	ASSY,SHAFT SUPPORT,LEFT,601,CATHEDR	7.08
CW601SA7-291	ASSY,SHAFT SUPPORT,LEFT,601,SILVER	7.09
CW601SA7-311	ASSY,SHAFT SUPPORT,LEFT,601,STONE H	7.11

CW601SA7-321	ASSY,SHAFT SUPPORT,LEFT,601,TITANIU	7.12
CW601SA7-331	ASSY,SHAFT SUPPORT,LEFT,601,WHITE G	7.13
CW601SA7-341	ASSY,SHAFT SUPPORT,LEFT,601,BLACK O	7.14
CW601SA7-351	ASSY,SHAFT SUPPORT,LEFT,601,LIGHT B	7.15
CW601SA7-361	ASSY,SHAFT SUPPORT,LEFT,601,SAPPHIR	7.16
CW601SA8-211	ASSY,SHAFT SUPPORT,RIGHT,601,SKY WH	8.01
CW601SA8-221	ASSY,SHAFT SUPPORT,RIGHT,601,BLACK	8.02
CW601SA8-231	ASSY,SHAFT SUPPORT,RIGHT,601,RED	8.03
CW601SA8-241	ASSY,SHAFT SUPPORT,RIGHT,601,PLATIN	8.04
CW601SA8-251	ASSY,SHAFT SUPPORT,RIGHT,601,SILVER	8.05
CW601SA8-261	ASSY,SHAFT SUPPORT,RIGHT,601,BLUE	8.06
CW601SA8-271	ASSY,SHAFT SUPPORT,RIGHT,601,CHARCO	8.07
CW601SA8-281	ASSY,SHAFT SUPPORT,RIGHT,601,CATHED	8.08
CW601SA8-291	ASSY,SHAFT SUPPORT,RIGHT,601,SILVER	8.09
CW601SA8-311	ASSY,SHAFT SUPPORT,RIGHT,601,STONE	8.11
CW601SA8-321	ASSY,SHAFT SUPPORT,RIGHT,601,TITANI	8.12
CW601SA8-331	ASSY,SHAFT SUPPORT,RIGHT,601,WHITE	8.13
CW601SA8-341	ASSY,SHAFT SUPPORT,RIGHT,601,BLACK	8.14
CW601SA8-351	ASSY,SHAFT SUPPORT,RIGHT,601,LIGHT	8.15
CW601SA8-361	ASSY,SHAFT SUPPORT,RIGHT,601,SAPPHI	8.16
CW601SA9-211	ASSY, OPTIONAL WEIGHT ADD-ON HOLDER	9.01
CW601SA9-221	ASSY, OPTIONAL WEIGHT ADD-ON HOLDER	9.02
CW601SA9-231	ASSY, OPTIONAL WEIGHT ADD-ON HOLDER	9.03
CW601SA9-241	ASSY, OPTIONAL WEIGHT ADD-ON HOLDER	9.04
CW601SA9-251	ASSY, OPTIONAL WEIGHT ADD-ON HOLDER	9.05
CW601SA9-261	ASSY, OPTIONAL WEIGHT ADD-ON HOLDER	9.06
CW601SA9-271	ASSY, OPTIONAL WEIGHT ADD-ON HOLDER	9.07
CW601SA9-281	ASSY, OPTIONAL WEIGHT ADD-ON HOLDER	9.08
CW601SA9-291	ASSY, OPTIONAL WEIGHT ADD-ON HOLDER	9.09
CW601SA9-311	ASSY,OPTIONAL WEIGHT ADD-ON HOLDER,	9.11
CW601SA9-321	ASSY, OPTIONAL WEIGHT ADD-ON HOLDER	9.12
CW601SA9-331	ASSY, OPTIONAL WEIGHT ADD-ON HOLDER	9.13
CW601SA9-341	ASSY, OPTIONAL WEIGHT ADD-ON HOLDER	9.14
CW601SA9-351	ASSY, OPTIONAL WEIGHT ADD-ON HOLDER	9.15
CW601SA9-361	ASSY, OPTIONAL WEIGHT ADD-ON HOLDER	9.16
CWCAYN025-050	SCREW, SOCKET HEAD, BLK XYLAN	10
CW10043-132	BUSHING, BRONZE, 1/2" ID X 3/4" OD	11
CW10043-134	BUSHING, BRONZE, 1" ID X 1 1/4" OD	12
CW12571-102	LINEAR BEARING, CLOSED TYPE, 1.500/	13
CWPF3501-901	GUIDE ROD,STEEL,OD 1.5 X 48.5 CASE	14
CW32460-321	ASSY, RATCHETING LEVER, TITANIUM	15
CW11311-102	ENDCAP, REC TUBE, 2X4, BLK PLASTIC	16
CW11311-103	ENDCAP, REC TUBE, 2X2, BLK PLASTIC	17
CWACHN238-008	SNAP RING RETAINER,(SUPER 24)	18
CWWAPNN100-012	WASHER, THRUST, 1.562 OD X .120 (TR	19
CW12402-101	BUMPER, WEIGHT STACK, BLK RUBBER	20
CWAC1164-101	LABEL, F.P.I. SERIAL NUMBER	22
CWGR2605-750	GRIP,RUBBER, 1" DIA, 5-3/4"	25
CWGR2608-500	GRIP,RUBBER, 1" DIA X 8 1/2"	26
CWAC1236-101	GUIDE INSERT, PLASTIC WITHOUT HOLE,	27
CWAC1236-102	GUIDE INSERT, PLASTIC WITH HOLE, BL	28



CWAC218-901	HANDLE END CAP W/SET SCREWS, DIA 1"	29
CWAC219-901	HNDL RETAINER RNG, W/SS,1.020" I.D.	30
CW31611-711	ASSY, MALE BACKPAD SUPPORT,	31
CW30505-101	CUT PIECE, CREPE, 1/4 X 25 X 21 X 3	32
CWCP1002-101	CUT PIECE, CREPE, 1/4 X 2 ID X 4 1/	33
CWCP1017-101	CUT PIECE, UHMW, 1 1/2 OD X 1 ID X	34
CWCP1034-101	CUT PIECE, CREPE, 7/16 X 3 X 4 1/4,	35
CW30514-101	CUT PIECE, ABS BLACK, 1/8 X 7 1/2 X	36
CW30515-101	CUT PIECE, ABS BLACK, 1/8 X 7 1/2 X	37
CWPD1137B-101	PAD,12X18,4HOLES,W/BP,BLACK	38.01
CWPD1137B-102	PAD,12X18,4HOLES,W/BP,RYL BL	38.02
CWPD1137B-103	PAD,12X18,4HOLES,W/BP,DVE GRY	38.03
CWPD1137B-104	PAD,12X18,4HOLES,W/BP,CROCUS	38.04
CWPD1137B-105	PAD,12X18,4HOLES,W/BP,GROTTO	38.05
CWPD1137B-106	PAD,12X18,4HOLES,W/BP,GRAPHITE	38.06
CWPD1137B-107	PAD,12X18,4HOLES,W/BP,RED	38.07
CWPD1137B-108	PAD,12X18,4HOLES,W/BP,CHN GRN	38.08
CWPD1137B-109	PAD,12X18,4HOLES,W/BP,TURQSE	38.09
CWPD1137B-110	PAD,12X18,4HOLES,W/BP,RASP	38.1
CWPD1137B-111	PAD,12X18,4HOLES,W/BP,PLUM	38.11
CWPD1137B-112	PAD,12X18,4HOLES,W/BP,REGIMENT	38.12
CWPD1137B-113	PAD,12X18,4HOLES,W/BP,SPC BLUE	38.13
CWPD1137B-115	PAD,12X18,4HOLES,W/BP,BLK LTHR	38.15
CWPD1137B-116	PAD,12X18,4HOLES,W/BP,NVBL LTH	38.16
CWPD1137B-117	PAD,12X18,4HOLES,W/BP,PUTTY	38.17
CWPD1137B-118	PAD,12X18,4HOLES,W/BP,IMPRL BL	38.18
CWPD1137B-119	PAD,12X18,4HOLES,W/BP,YEW GRN	38.19
CWPD1137B-120	PAD,12X18,4HOLES,W/BP,DSTY JD	38.2
CWPD1137B-121	PAD,12X18,4HOLES,W/BP,TER COT	38.21
CWPD1137B-122	PAD,12X18,4HOLES,W/BP,PAPRIKA	38.22
CWPD1137B-123	PAD,12X18,4HOLES,W/BP,ASH LTHR	38.23
CWPD1137B-124	PAD,12X18,4HOLES,W/BP,CERULEAN LTHR	38.24
CWPD1137B-125	PAD,12X18,4HOLES,W/BP,CHARCOAL LTHR	38.25
CWPD1137B-126	PAD,12X18,4HOLES,W/BP,HUNTER LTHR	38.26
CWPD1137B-127	PAD,12X18,4HOLES,W/BP,MOSS LTHR	38.27
CWPD1137B-128	PAD,12X18,4HOLES,W/BP,SPICE LTHR	38.28
CWPD1137B-129	PAD,12X18,4HOLES,W/BP,TOMATO LTHR	38.29
CWPD1502B-101	PAD,18X22X30.25,4HLS,W/BP,BLACK	39.01
CWPD1502B-102	PAD,18X22X30.25,4HLS,W/BP,RY BL	39.02
CWPD1502B-103	PAD,18X22X30.25,4HLS,W/BP,DV GR	39.03
CWPD1502B-104	PAD,18X22X30.25,4HLS,W/BP,CRCUS	39.04
CWPD1502B-105	PAD,18X22X30.25,4HLS,W/BP,GROTT	39.05
CWPD1502B-106	PAD,18X22X30.25,4HLS,W/BP,GRPHT	39.06
CWPD1502B-107	PAD,18X22X30.25,4HLS,W/BP,RED	39.07
CWPD1502B-108	PAD,18X22X30.25,4HLS,W/BP,CH GR	39.08
CWPD1502B-109	PAD,18X22X30.25,4HLS,W/BP,TURQS	39.09
CWPD1502B-110	PAD,18X22X30.25,4HLS,W/BP,RASP	39.1
CWPD1502B-111	PAD,18X22X30.25,4HLS,W/BP,PLUM	39.11
CWPD1502B-112	PAD,18X22X30.25,4HLS,W/BP,RGMNT	39.12
CWPD1502B-113	PAD,18X22X30.25,4HLS,W/BP,SPC BL	39.13
CWPD1502B-115	PAD,18X22X30.25,4HLS,W/BP,BLK LTH	39.15

CWPD1502B-116	PAD,18X22X30.25,4HLS,W/BP,NBL LTH	39.16
CWPD1502B-117	PAD,18X22X30.25,4HLS,W/BP,PUTTY	39.17
CWPD1502B-118	PAD,18X22X30.25,4HLS,W/BP,IMPRL BL	39.18
CWPD1502B-119	PAD,18X22X30.25,4HLS,W/BP,YEW GRN	39.19
CWPD1502B-120	PAD,18X22X30.25,4HLS,W/BP,DSTY JD	39.2
CWPD1502B-121	PAD,18X22X30.25,4HLS,W/BP,TER COT	39.21
CWPD1502B-122	PAD,18X22X30.25,4HLS,W/BP,PAPRIKA	39.22
CWPD1502B-123	PAD,18X22X30.25,4H,W/BP,ASH LTHR	39.23
CWPD1502B-124	PAD,18X22X30.25,4H,W/BP,CERULN LTH	39.24
CWPD1502B-125	PAD,18X22X30.25,4H,W/BP,CHARCL LTH	39.25
CWPD1502B-126	PAD,18X22X30.25,4H,W/BP,HUNTER LTH	39.26
CWPD1502B-127	PAD,18X22X30.25,4H,W/BP,MOSS LTHR	39.27
CWPD1502B-128	PAD,18X22X30.25,4H,W/BP,SPICE LTHR	39.28
CWPD1502B-129	PAD,18X22X30.25,4H,W/BP,TOMATO LTHR	39.29
CWPF1110-731	BAR,STEEL RND, DIA .995" X (7),BLK	40
CWPF1468-741	BAR,STEEL RND, DIA 1 1/4" X (14), 1	41
CWTAYN031-250	SCREW, BUTTON HEAD, BLK XYLAN, 5/	41
CWSA1098-741	ASSY, WEIGHT HOLDER, 63 1/4",CLR ZI	42
CWSA2051-741	ASSY, WEIGHT HOLDER, 22",CLR ZN	43
CWSA3021-211	ASSY,FEMALE BACKPAD SELECTOR,SKY WH	44.01
CWSA3021-221	ASSY,FEMALE BACKPAD SELECTOR,BLACK	44.02
CWSA3021-231	ASSY,FEMALE BACKPAD SELECTOR,RED	44.03
CWSA3021-241	ASSY,FEMALE BACKPAD SELECTOR,PLATIN	44.04
CWSA3021-251	ASSY,FEMALE BACKPAD SELECTOR,SILVER	44.05
CWSA3021-261	ASSY,FEMALE BACKPAD SELECTOR,BLUE	44.06
CWSA3021-271	ASSY,FEMALE BACKPAD SELECTOR,CHARCO	44.07
CWSA3021-281	ASSY,FEMALE BACKPAD SELECTOR,CATHED	44.08
CWSA3021-291	ASSY,FEMALE BACKPAD SELECTOR,SILVER	44.09
CWSA3021-311	ASSY,FEMALE BACKPAD SELECTOR,STONE	44.11
CWSA3021-312	ASSY,FEMALE BACKPAD SELECTOR,STONE	44.11
CWSA3021-321	ASSY,FEMALE BACKPAD SELECTOR,TITANI	44.12
CWSA3021-331	ASSY,FEMALE BACKPAD SELECTOR,WHITE	44.13
CWSA3021-341	ASSY,FEMALE BACKPAD SELECTOR,BLACK	44.14
CWSA3021-351	ASSY,FEMALE BACKPAD SELECTOR,LIGHT	44.15
CWSA3021-361	ASSY,FEMALE BACKPAD SELECTOR,SAPPHI	44.16
CWHCCN050-088	SCREW, HEX HEAD, ZN, 1/2-13 X 7/8	45
CWHCYN050-100	SCREW,HEX HEAD,BLK XYLAN,1/2-13 X 1	46
CWWALYN031-008	WASHER, SPLIT, 5/16 ID, BL	46
CWHCYN050-500	SCREW, HEX HEAD, BLK XYLAN, 1/2-13	47
CWKADLN031-053	NUT, ACORN, 5/16-18	48
CWKAYN050-031	LOCKNUT, NYLON INSERT, HALF, UNC, 1	49
CWLDNN031-150	PIN, ROLL, DIA. 5/16 X 1 1/2	50
CWTAYN031-050	SCREW, BUTTON HEAD, BLK XYLAN,5/16	51
CWTAYN031-100	SCREW, BUTTON HEAD, BLK XYLAN, 5/1	52
CWTAYN050-100	SCREW, BUTTON HEAD, BLK XYLAN, 1/2	53
CWCAYN025-050	SCREW, SOCKET HEAD, BLK XYLAN	54
CWTAYN031-250	SCREW, BUTTON HEAD, BLK XYLAN, 5/	55
CWEANN038-038	SCREW,SET,SCKT,CUP POINT,3/8-16X3/8	56
CWEANN031-050	SCREW,SET,SCKT,CUP POINT,5/16-18 X	57
CWWABKN031-007	WASHER, FENDER,BLK ZN, 5/16 ID X 1	58
CWWBKN031-007	WASHER, FLAT, TYPE A, SAE, 5/16 ID	59

CWWBKN050-010	WASHER, FLAT, TYPE A, SAE, 1/2 ID X	60
CWWALYN031-008	WASHER, SPLIT, 5/16 ID, BL	61
CWWALYN050-013	WASHER, SPLIT, 1/2 ID, BLK XYLAN	62
CW30010-101	LABEL,WARNING STRENGTH	63
CW30043-101	LABEL,INSTRUCTION,601	64
CW31759-101	LABEL,SMALL PRECOR USA ICARIAN LINE	65
CW12634-101	SPRING, TORSION 90 DEG X 0.484 X 0.	72
CW31770-742	LATCH PIVOTING PIN, CLR ZN	73
CWAMNN028-003	RING, RETAINING, 2-TURN, SPIRAL, SS	74
CW12633-101	ENDCAP, REC TUBE, LDP, 1 1/2 X 3 1	75
CW30165-751	ASSY, POP PIN, 0.450 DIA HANDLE, B	77
CW32209-711	ASSEMBLY, BACK ADJUSTMENT, 5 HOLE,	78
CWAC1178-101	FLOOR PROTECTOR, RUBBER, 2.563 X 6.	501
CWAC1179-101	FLOOR PROTECTOR, RUBBER, 4.813 X 2.	502
CWAC1180-101	FLOOR PROTECTOR, RUBBER, 2.563 X 4.	503